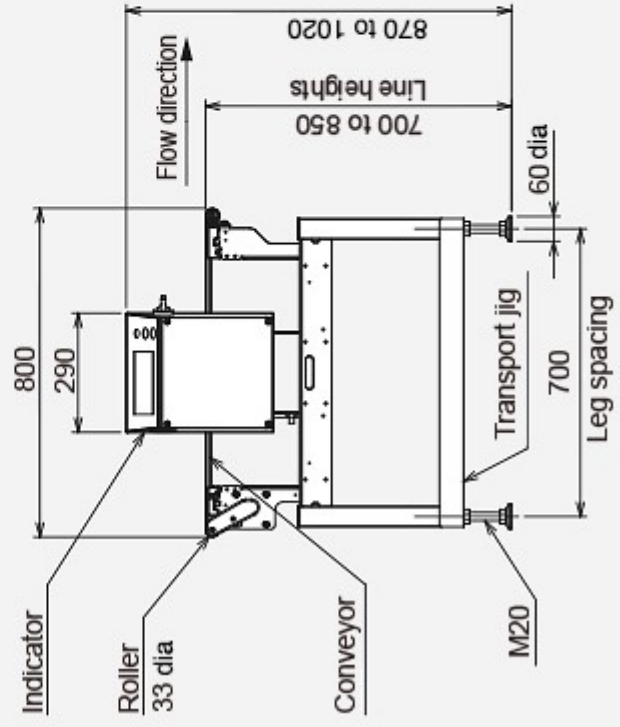
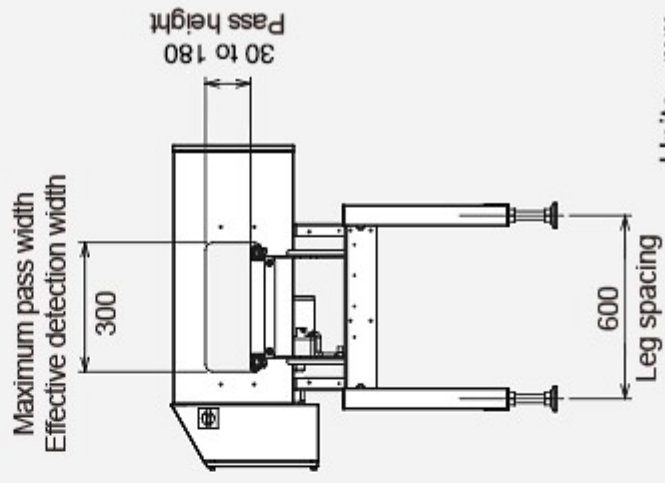
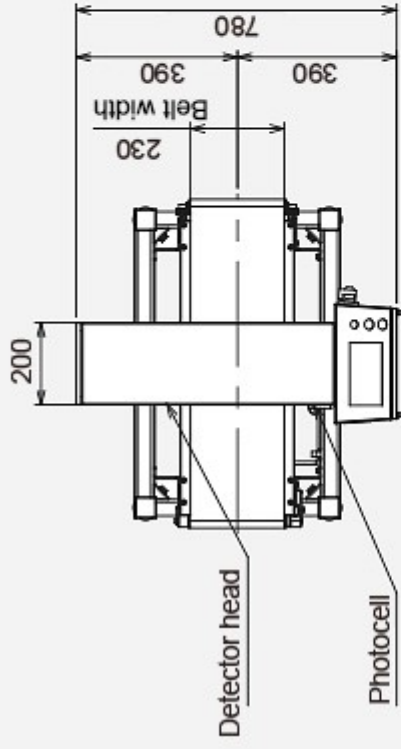


KDB3008AHW



Units : mm

■ Specifications

Model	KDB3008AHW	
Pass height	80 mm	
Maximum pass width	300 mm	
Detection sensitivity ¹	Fe sphere	0.4 mm dia
	SUS304 sphere	0.7 mm dia
Belt width	230 mm	
Display	7-inch color TFT LCD	
Operation method	Touch panel (Start, Stop, and Home are direct push buttons)	
Preset memory	Maximum 200	
Belt speed	25 m/min (50 Hz), 30 m/min (60 Hz)	
Maximum product weight ²	3 kg (Can support up to 10 kg as an option)	
Power requirements ^{3, 4}	100 Vac, single phase 50/60 Hz ; 110/115/120 Vac, single phase 60 Hz ; 200 Vac, single phase 50/60 Hz ; 220/230 Vac, single phase 50/60 Hz ; or 240 Vac, single phase 50 Hz. 160 VA, rush current 50 A (typ.) (20 ms or less)	
Mass	76 kg	
Environmental conditions	0° to 40° C, relative humidity 30% to 85%, non-condensing	
Protection class	IP66 compliance	
Exterior	Indicator and detector head: stainless steel (SUS304) Conveyor frame and stand AHF type: metal (coating) / AHW type: stainless steel (SUS304)	
Data output	USB port as an option (USB2.0), Ethernet interface as an option (10BASE-T, 100BASE-TX)	

1: Detection sensitivity for actual use may vary depending the type of contaminants, the physical property of product (temperature of goods, content, and shape).

2: Sum total of product weight on the conveyor.

3: Specify one of these power supplies for use when ordering.

4: Please use the rated voltage for the power supply voltage.

A rise of a temperature in the motor may occur when the variation width of the power supply voltage is large.

Conveyor torque may deteriorate when the power supply voltage is low.

Detection areas

Each series features a variety of detection areas to suit a wide range of products.

For details of specifications, please submit an online inquiry form.

		Pass height (mm)						
		50	80	100	120	130	150	180
Pass width (mm)	300	◎	◎	△	◎	△	◎	◎
	450	◎	△	◎	△	◎	◎	◎